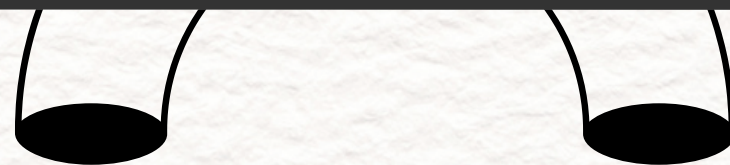
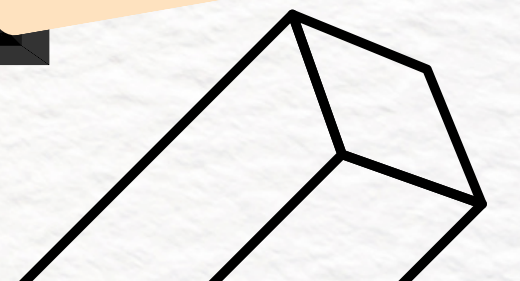
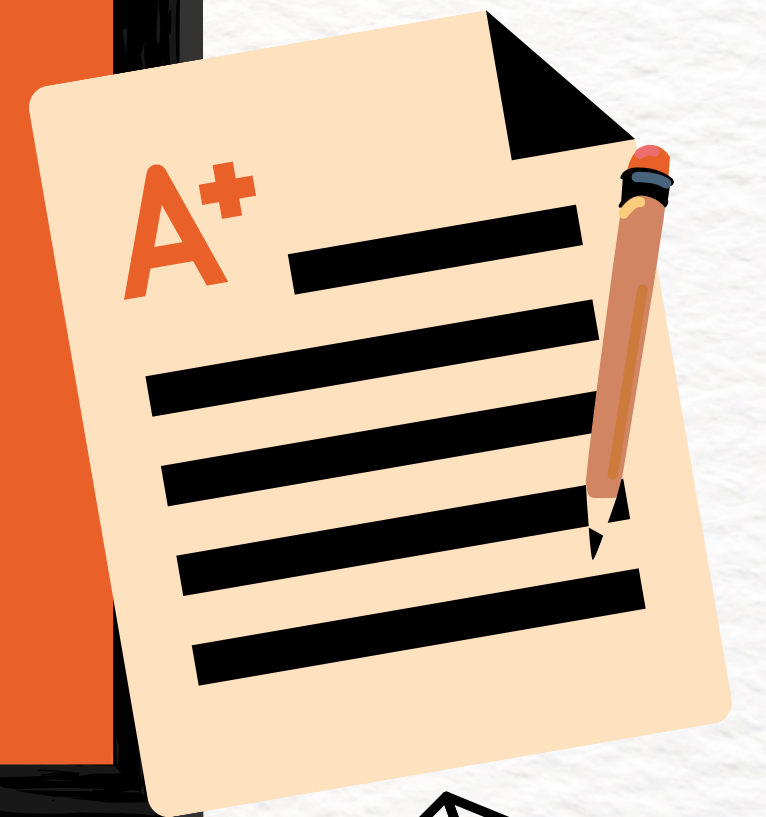
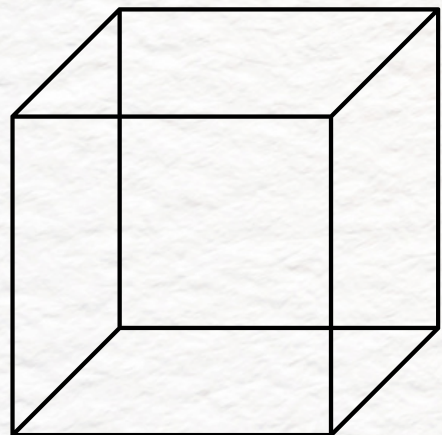


Noun: kinds

MADHUMITHA . R





NOUN: That names people, animals, or things.

KINDS OF NOUNS:

- COMMON NOUNS
- PROPER NOUNS
- COMPOUND NOUNS
- CONCRETE NOUNS
- ABSTRACT NOUNS
- COLLECTIVE NOUNS



Noun kinds

Common nouns

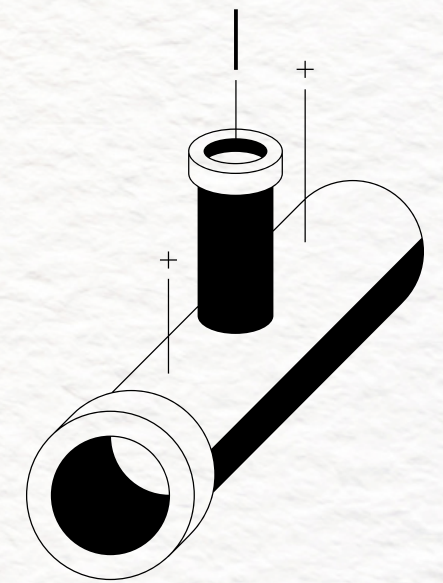
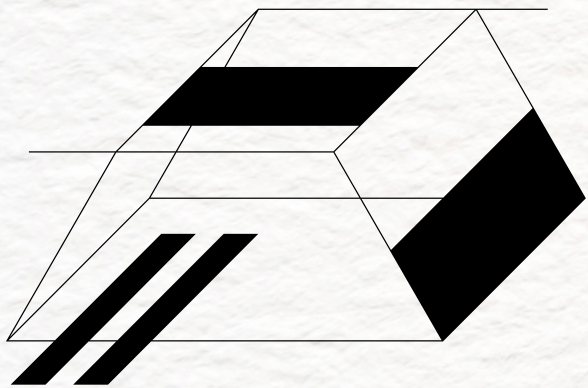
Non specific people, place, thing or ideas

Proper nouns

Specific people, place or things.

Compound nouns

Make up of two or more smaller words



Noun kinds

Concrete nouns

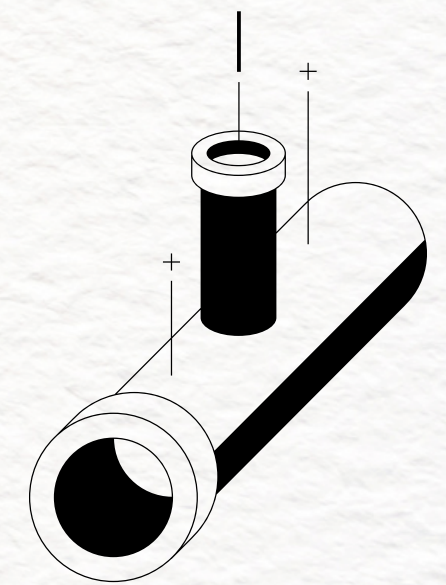
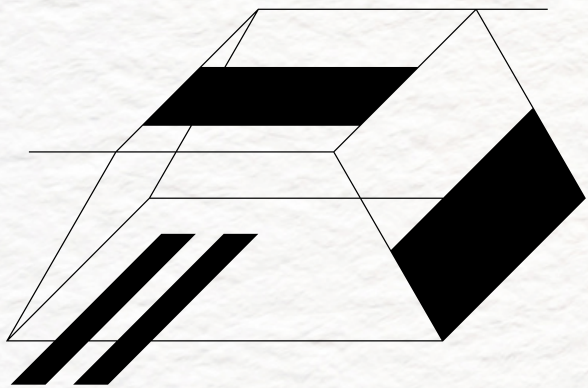
Denoting a material object rather than an abstract quality, state, or action.

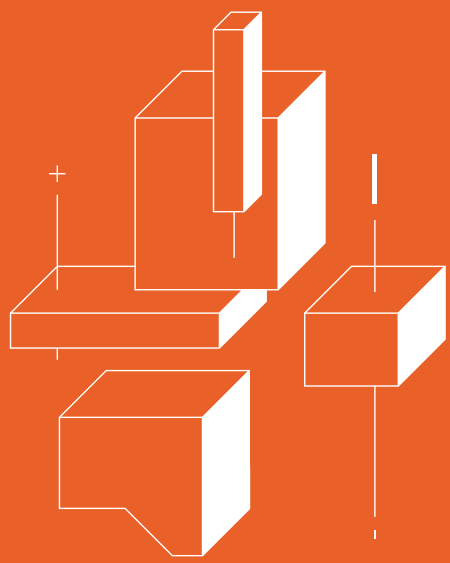
Abstract nouns

Denoting an idea, quality, or state rather than a concrete object.

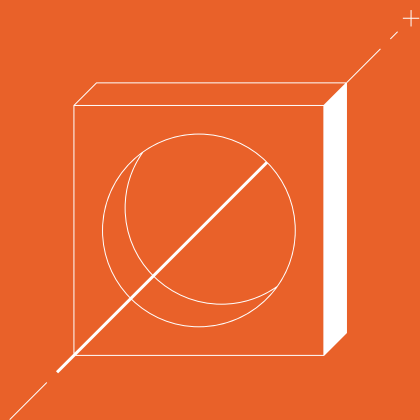
Collective nouns

Refers to group of things as one whole.





Examples
of
kinds of
nouns



COMMON NOUNS

**Table, Book,
Window, Friends**

PROPER NOUNS

**Dinning table, Mac book,
Glass window, Sitha**

COMPOUND NOUNS

**School boy, son-in-
law, textbook**

CONCRETE NOUNS

**House, Flower, Dog,
eyes**

ABSTRACT NOUNS

**Freedom, love,
courage, joy**

COLLECTIVE NOUNS

**team, crew,
bunch, flock**

**Thank
you**

Happy learning !